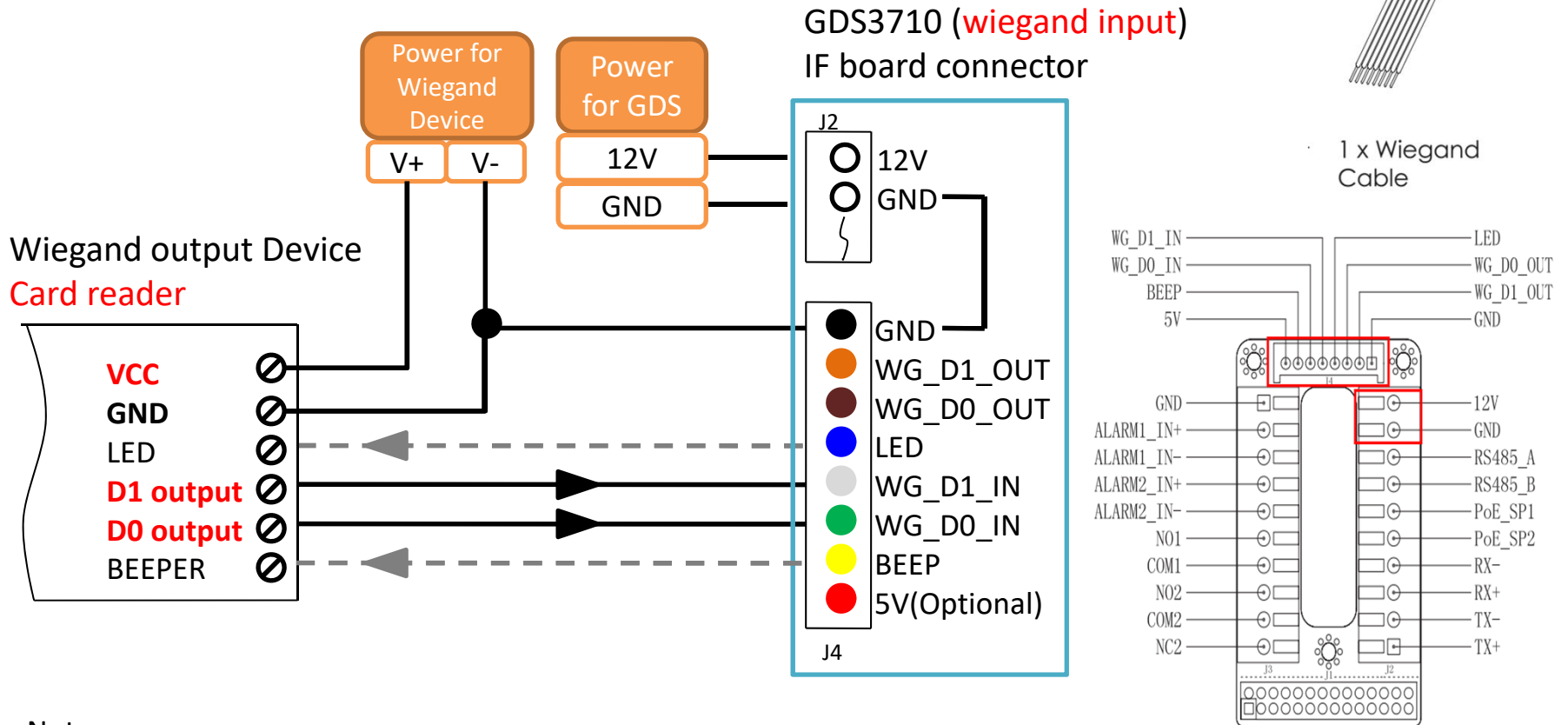


# GDS3710 Wiegand Connection & Wiring Diagrams ---- Wiegand Input

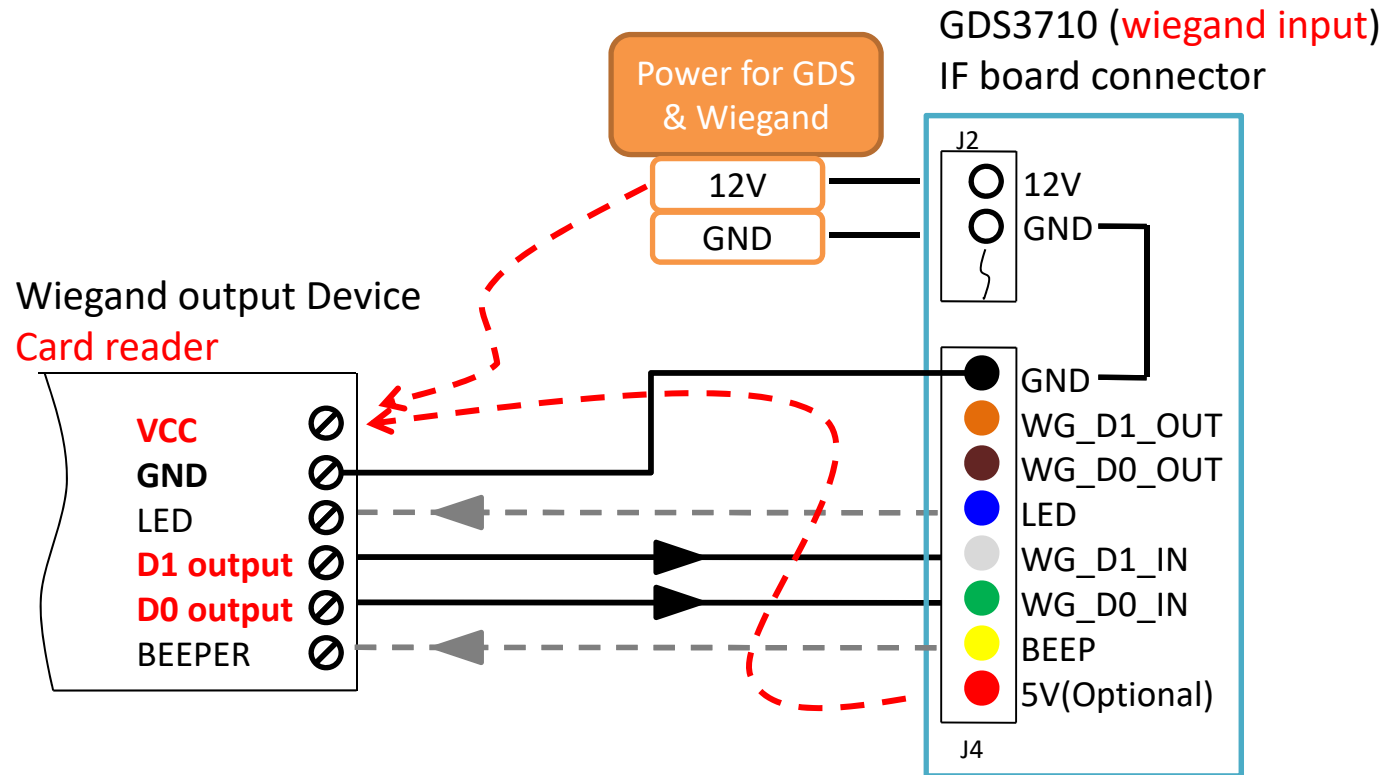
GDS3710 package with 1 wiegand cable for wiegand Input/Output connection. The following diagram show how to connect the Wiegand output device.



Note:

Please make sure connect the GND of wiegand device and GDS wiegand port; For wiegand input mode, LED and Beep need Wiegand device support the interface and function, these two pins will not affect the wiegand bus when not connected.

# GDS3710 Wiegand Connection & Wiring Diagrams ---- **Wiegand Input**

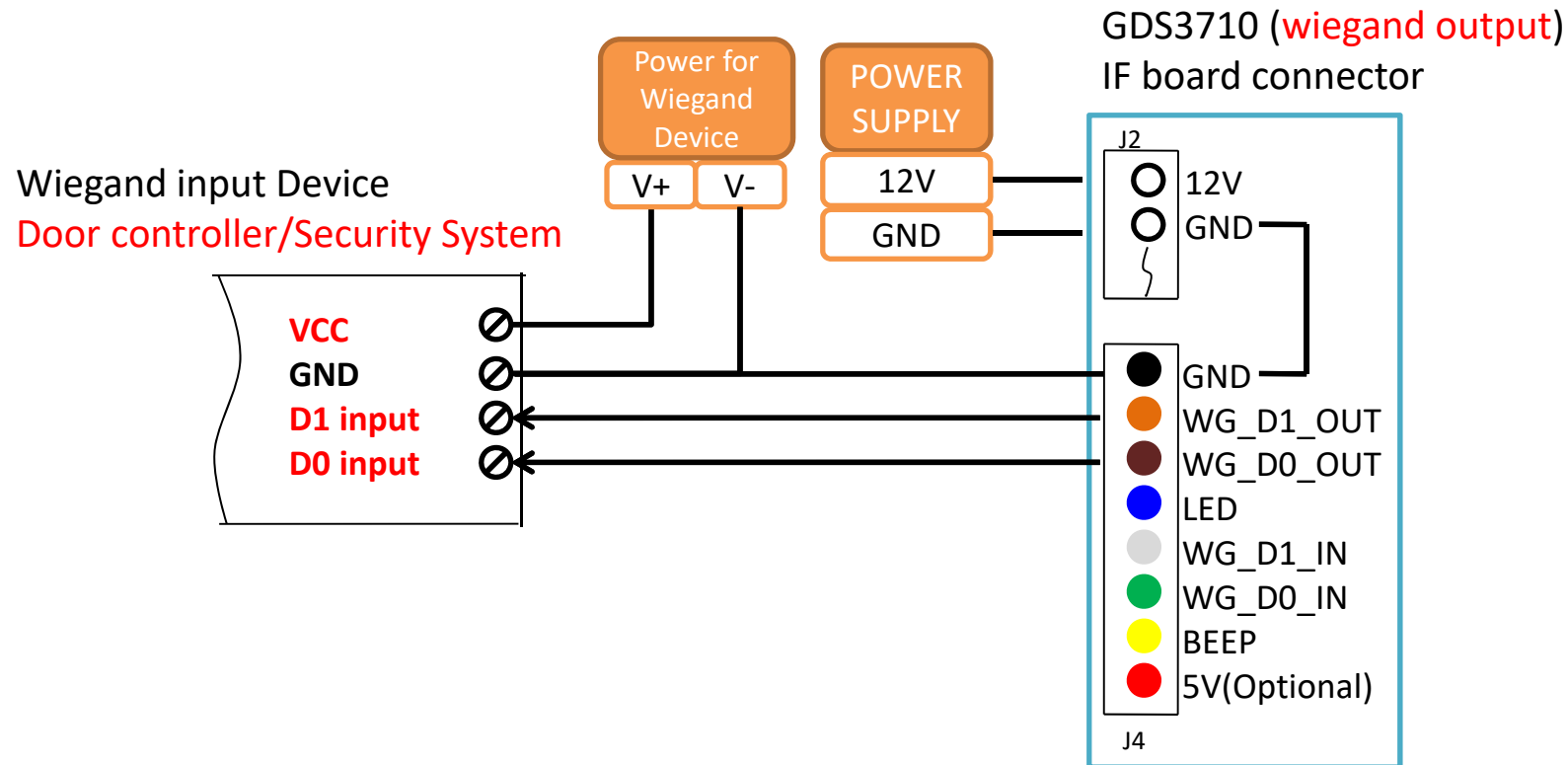


Note:

1. Please make sure connect the GND of wiegand device and GDS wiegand port;
2. GDS3710 with +5V(max 500mA) power supply as option for +5V wiegand device;

# GDS3710 Wiegand Connection & Wiring Diagrams ---- **Wiegand Output**

The following diagram show how to set GDS as Wiegand output device.



Note: For wiegand output mode, only three pins need connect WG\_D0\_OUT, WG\_D1\_OUT and GND.